

two[®]

bonafix
surgical & dental implants

Micro Rings

Micro rings on the implant collar, improve Bone-Implant contact and interaction

Internal Hex

Color Code

Each implant platform is color coded for a simpler, faster and safer restoration procedure.



RBM Treated Surface

Enhance the bone and implant contact, providing stability and helping the Osseo-integration process

Double-Threaded Implant

Allow a faster and safer implant procedure while enhancing the bone and implant contact, providing stability and helping the Osseo integration process.

Conical Shape

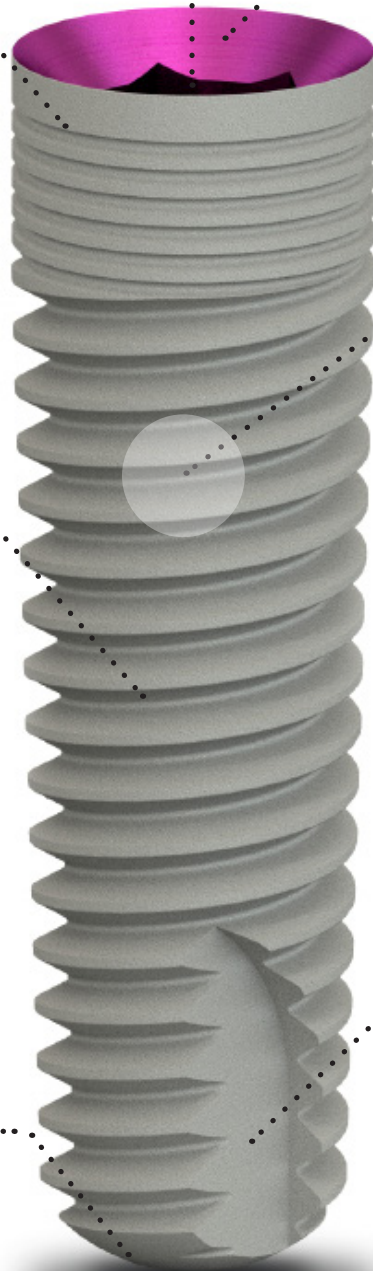
The conical shape, the thread design and the proper following of the Bonafix surgical protocols, will ensure the necessary stability required for a successful implant procedure

Self-Tapping Groove

Provides better insertion and engages the apex of the implant.

Domed Apex

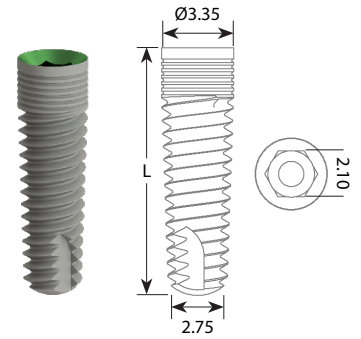
Avoids over insertion providing a safe implant placement procedure.



IMPLANT DIAMETER 3.35mm



Lenght	10mm	11.5mm	13mm	15mm
Catalog No.	BTIM3310	BTIM3311	BTIM3313	BTIM3315
Material	Titanium Grade 5 RBM			



SURGICAL SCREW AND HEALING COLLARS

Surgical Screw Narrow
BTSSN



Healing Collar Narrow

- | | |
|---------|---------|
| BTHCN37 | BTHCN47 |
| BTHCN35 | BTHCN45 |
| BTHCN33 | BTHCN43 |

Healing Collar Code

BTHCN			1. Description
1	2	3	2. Emergence profile 3. Cuff Height

SURGICAL PROTOCOL

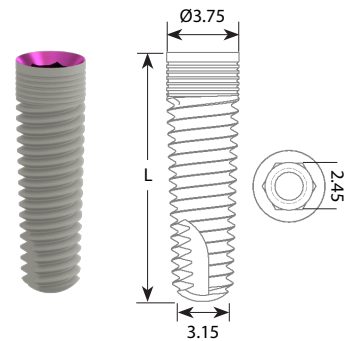
STEP 1	OPTIONAL	STEP 2	STEP 3
			
Round Bur 23 BTRB23	Spade Drill BTSD17	Pilot Drill 2.20 DR022	Step Drill 2.2/3.0 BTSD2230

Standard Platform

IMPLANT DIAMETER 3.75mm



Lenght	8mm	10mm	11.5mm	13mm	15mm
Catalog No.	BTIM3708	BTIM3710	BTIM3711	BTIM3713	BTIM3715
Material	Titanium Grade 5 RBM				



SURGICAL SCREW AND HEALING COLLARS

Surgical Screw Standard
BTSSS



Healing Collar Standard

—	BTHCS47	—
BTHCS35	BTHCS45	BTHCS55
BTHCS33	BTHCS43	BTHCS53

Healing Collar Code

BTHCS		
1	2	3

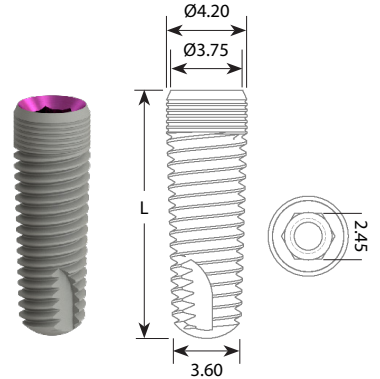
1. Description
2. Emergence profile
3. Cuff Height

SURGICAL PROTOCOL

STEP 1	OPTIONAL	STEP 2	STEP 3	STEP 4
				
Round Bur 23 BTRB23	Spade Drill BTSD17	Pilot Drill 2.20 DR022	Step Drill 2.2 /3.0 BTSD2230	Step Drill 2.8 /3.4 BTSD2834

IMPLANT DIAMETER 4.20mm

Lenght	8mm	10mm	11.5mm	13mm	15mm
Catalog No.	BTIM4208	BTIM4210	BTIM4211	BTIM4213	BTIM4215
Material	Titanium Grade 5 RBM				



SURGICAL SCREW AND HEALING COLLARS

Surgical Screw Standard
BTSSS



Healing Collar Standard

—	BTHCS47	—
BTHCS35	BTHCS45	BTHCS55
BTHCS33	BTHCS43	BTHCS53

Healing Collar Code

BTHCS		
1	2	3

- 1. Description
- 2. Emergency profile
- 3. Cuff Height

SURGICAL PROTOCOL

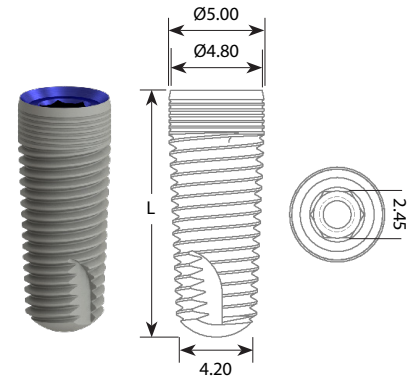
OPTIONAL	STEP 1	STEP 2	STEP 3	STEP 4	STEP 5
Round Bur 23 BTRB23	Spade Drill BTSD17	Pilot Drill 2.20 DR022	Step Drill 2.2 / 3.0 BTSD2230	Step Drill 2.8 / 3.4 BTSD2834	Step Drill 3.4 / 3.9 BTSD3439

Wide Platform

IMPLANT DIAMETER 5mm



Lenght	8mm	10mm	11.5mm	13mm	15mm
Catalog No.	BTIM5008	BTIM5010	BTIM5011	BTIM5013	BTIM5015
Material	Titanium Grade 5 RBM				



SURGICAL SCREW AND HEALING COLLARS

Surgical Screw Wide
BTSSW



Healing Collar Wide

BTHCW47	—	—
BTHWS45	BTHCW55	BTHCW65
BTHWS43	BTHCW53	BTHCW63

Healing Collar Code

BTHCW				1. Description
1	2	3		2. Emergency profile
				3. Cuff Height

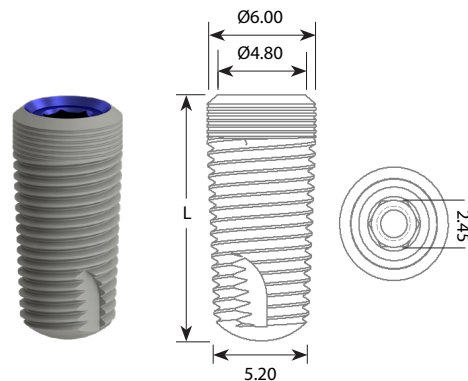
SURGICAL PROTOCOL

STEP 1	OPTIONAL	STEP 2	STEP 3	STEP 4	STEP 5	STEP 6
Round Bur 23 BTRB23	Spade Drill BTSD17	Pilot Drill 2.20 DR022	Step Drill 2.2 / 3.0 BTSD2230	Step Drill 2.8 / 3.4 BTSD2834	Step Drill 3.4 / 3.9 BTSD3439	Step Drill 4.2 / 4.7 BTSD4247



IMPLANT DIAMETER 6mm

Lenght	8mm	10mm	11.5mm	13mm
Catalog No.	BTIM6008	BTIM6010	BTIM6011	BTIM6013
Material	Titanium Grade 5 RBM			



SURGICAL SCREW AND HEALING COLLARS

Surgical Screw Wide
BTSSW



Healing Collar Wide

BTHCW47	—	—
BTHWS45	BTHCW55	BTHCW65
BTHWS43	BTHCW53	BTHCW63

Healing Collar Code

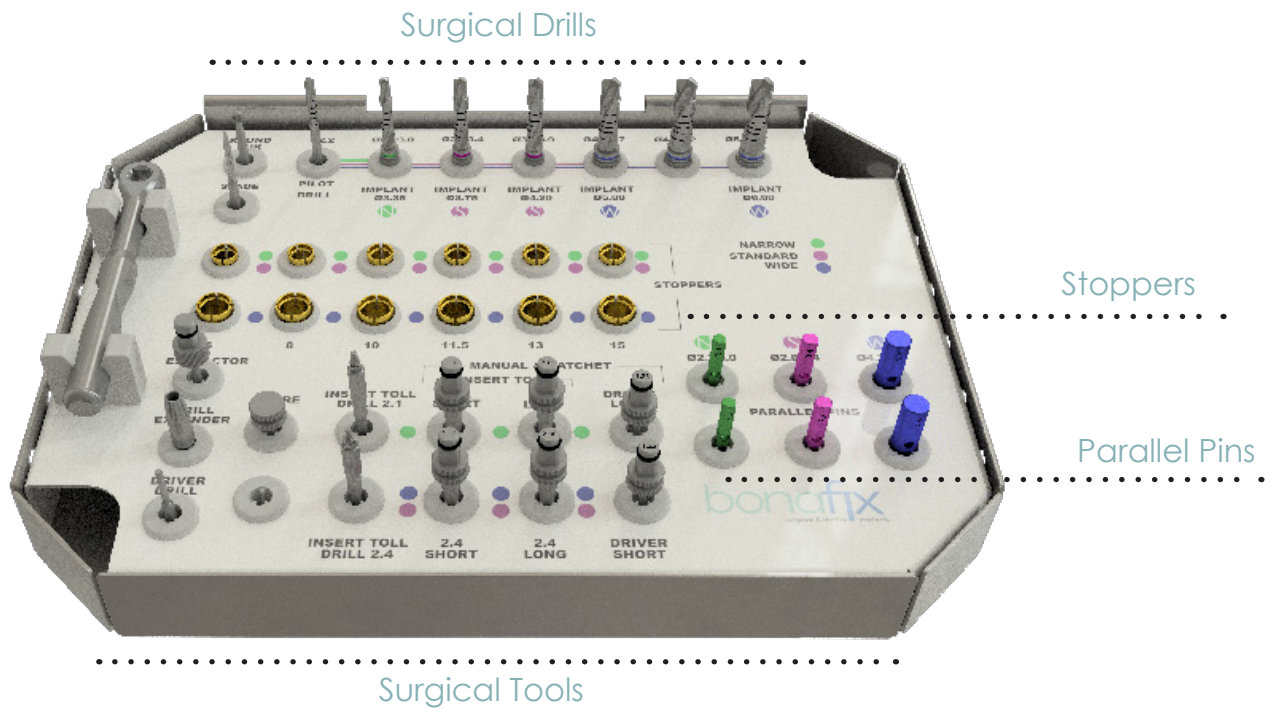
BTHCW				1. Description
1	2	3		2. Emergency profile
				3. Cuff Height

SURGICAL PROTOCOL

STEP 1	OPTIONAL	STEP 2	STEP 3	STEP 4	STEP 5	STEP 6	STEP 7	STEP 8
Round Bur 23 BTRB23	Spade Drill BTSD17	Pilot Drill 2.20 DR022	Step Drill 2.2/3.0 BTSD2230	Step Drill 2.8/3.4 BTSD2834	Step Drill 3.4/3.9 BTSD3439	Step Drill 4.2/4.7 BTSD4247	Step Drill 4.7/5.2 BTSD4752	Step Drill 5.2/5.7 BTSD5257

Surgical Kit

Bonafix Two Surgical Kit provides all necessary elements for a safe, simple and successful implant placement and prosthetic procedure.



Compact Kit

Bonafix Two Compact Kit provides all basic components necessary for an implant and restoration procedure.





RTWR Ratchet Wrench

Tools

Surgical Drills

- BTRB23 Round Bur 23
- BTSD17 Spade Drill
- DR022 Pilot Drill
- BTSD2230 Step Drill 2.2/3.0
- BTSD2834 Step Drill 2.8/3.4
- BTSD3439 Step Drill 3.4/3.9
- BTSD4247 Step Drill 4.2/4.7
- BTSD4752 Step Drill 4.7/5.2
- BTSD5257 Step Drill 5.2/5.7

- BTAE Abutment Extractor
- BTDE Drill Extender
- BTSD Screw Driver Drill
- BTPSR Prosthetic Screw Retriever
- BTITD21 Insert Tool Drill 2.1
- BTITD24 Insert Tool Drill 2.4
- BTMRIT21S / BTMRIT21L Manual Ratchet Insert Tool 2.1 Short / Long
- BTMRIT24S / BTMRIT24L Manual Ratchet Insert Tool 2.4 Short / Long
- BTMRSDS / BTMRSDL Manual Ratchet Screw Driver Short / Long

Stoppers

- Stopper Narrow/Standard
- Stopper Wide

Parallel Pins

- BTPPN Parallel Pin Narrow
- BTPPS Parallel Pin Standard
- BTPPW Parallel Pin Wide

Vial & Cap







The design of the vial and cap facilitates the use of the Bonafix Two implants and cover screws. Packaging and sterilization facilities comply with ISO 13485 standard to assure quality and reliability.

Implant Transport

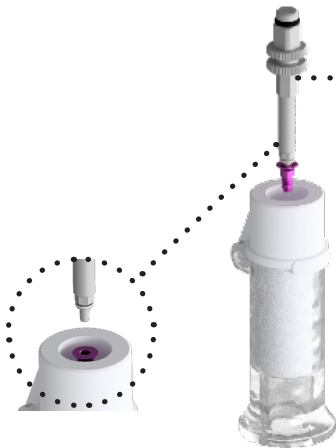
To remove the implant, open the cap and place the Bonafix Two Manual Ratchet Insert Tool required for the implant platform until it is fully fitted. The complete placement of the Insert Tool guarantees a safe removal and travel of the implant, improving the transfer of forces during the placement.



- BTMRIT21S 
- BTMRIT21L 
- BTMRIT24S 
- BTMRIT24L 

Surgical Screw Removal

The use of the same Insert Tool simplifies and facilitates the removal of the surgical screw from the vial cap. Insert the tip of the Insert Tool into the hexagon of the screw pressing down carefully until a "bounce effect" is achieved. Unscrew until it's released. It is recommended to maintain a slight pressure down during the unscrew procedure. Transport the screw to the implant site and proceed with the screwing process. Finish tightening the screw using the Bonafix Two Manual Ratchet Screw Driver required for the screw platform.





Straight Abutment



Abutment Options	Profile	H
BTSAN3	3.35 mm (flare)	1.60 mm
BTSAN4	4.30 mm	
Screw	BTPSN (2 screws included)	
Recommended torque: 30 Ncm		

UCLA Abutment*



Abutment Options	Profile
	N/A
Screw	BTPSN (2 Screws included)
Recommended torque: 30 Ncm	

Angled Abutment



Abutment Options	Angle
BTAAN	20°
Screw:	BTPSN (2 Screws included)
Recommended torque: 30 Ncm	

Castable Abutment*



Abutment Options	Profile
BTCPAN	N/A
Screw: BTPSN (1 Screw included)	
Recommended torque: 30 Ncm	

Temporary Abutment / Transfer



Abutment Options	Profile	H
BTTSAN	4.30 mm	1.60 mm
Screw	BTPSN (1 Screw included)	
Recommended torque: 30 Ncm		

Transfer



Transfer Options	Profile
BTTN3	3.35 mm (flare)
BTTN4	4.30 mm
Screw	BTTSSN (Closed-Tray) BTTSSN (Open-Tray) Both Screws included
Recommended torque: 15-20 Ncm	

Overdenture*



Overdenture Options	H
BTOBAN2	2.00 mm
BTOBAN4	4.00 mm
BTOBAN6	6.00 mm
Recommended torque: 15-20 Ncm	

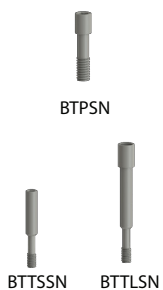
Analog Implant



BTAUN

* Ask your representative for availability

Prosthetic Screws



Screw Type

Matching Prosthetic Accesories

Prosthetic Screw Narrow	BTSAN3	BTSAN4	BTTSAN	BTAAN	BTAUN	BTCPAN
Transfer Screw Short Narrow						
Transfer Screw Long Narrow	BTTN3	BTTN4				

Prosthetic Components



Straight Abutment



Abutment Options	Profile	H
BTSAS3	3.75 mm (flare)	1.60 mm
BTSAS4	4.50 mm	
BTSAS5	5.50 mm	
Screw	BTPSC (2 Screws included)	
Recommended torque: 15-20 Ncm		

UCLA Abutment*



Abutment Options	Profile
BTAUS	N/A
Screw	BTPSC (2 Screws included)
Recommended torque: 30 Ncm	

Angled Abutment



Abutment Options	Angle
BTAAS	20°
Screw:	BTPSC (2 Screws included)
Recommended torque: 30 Ncm	

Castable Abutment*



Abutment Options	Profile
BTCPAS	N/A
Screw:	BTPSC (1 Screw included)
Recommended torque: 30 Ncm	

Temporary Abutment / Transfer



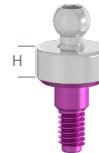
Abutment Options	Profile	H
BTTAS	4.30 mm	1.60 mm
Screw	BTPSC (1 Screw included)	
Recommended torque: 30 Ncm		

Transfer



Transfer Options	Profile
BTTAS	3.75 mm (flare)
BTTAS	4.50 mm
BTTAS	5.50 mm
Screw	BTTSS (Closed-Tray) BTTSS (Open-Tray) Both Screws included
Recommended torque: 15-20 Ncm	

Overdenture*



Overdenture Options	H
BTOBAS2	2.00 mm
BTOBAS4	4.00 mm
BTOBAS6	6.00 mm
Recommended torque: 15-20 Ncm	

Analog Implant



BTAIS

* Ask your representative for availability

Prosthetic Screws



Screw Type	Matching Prosthetic Accessories			
Prosthetic Screw	BTSAS4	BTSAS5	BTSAS6	
Transfer Screw Short				
Transfer Screw Long	BTTAS	BTTAS	BTTAS	
Prosthetic Screw Cam	BTAUS	BTAAS	BTCPAS	BTTAS

Prosthetic Components



Straight Abutment



Abutment Options	Profile	H
BTSAW4	4.80 mm (flare)	1.60 mm
BTSAW5	5.50 mm	
BTSAW6	6.50 mm	
Screw	BTPS (2 Screws included)	
Recommended torque: 15-20 Ncm		

UCLA Abutment*



Abutment Options	Profile
BTAUW	N/A
Screw	BTPSC (2 Screws included)
Recommended torque: 30 Ncm	

Angled Abutment



Abutment Options	Angle
BTAAW	20°
Screw:	BTPSC (2 Screws included)
Recommended torque: 30 Ncm	

Castable Abutment*



Abutment Options	Profile
BTCPAW	N/A
Screw:	BTPSC (1 Screw included)
Recommended torque: 30 Ncm	

Temporary Abutment / Transfer



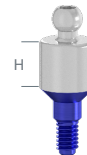
Abutment Options	Profile	H
BTSAW	4.30 mm	1.60 mm
Screw	BTPSC (1 Screw included)	
Recommended torque: 30 Ncm		

Transfer



Transfer Options	Profile
BTTW4	4.80 mm (flare)
BTTW5	5.50 mm
BTTW6	6.50 mm
Screw	BTTSS (Closed-Tray) BTTSS (Open-Tray) Both Screws included
Recommended torque: 15-20 Ncm	

Overdenture*



Overdenture Options	H
BTOBAW2	2.00 mm
BTOBAW4	4.00 mm
Recommended torque: 15-20 Ncm	




Analog Implant



BTAIW

* Ask your representative for availability

Prosthetic Screws

Screw Type	Matching Prosthetic Accesories			
 BTPS	Prosthetic Screw	BTSAW4	BTSAW5	BTSAW6
 BTTSS BTTSL	Transfer Screw Short Transfer Screw Long	BTTW4	BTTW5	BTTW6
 BTPSC	Prosthetic Screw Cam	BTAUW	BTAAW	BTCPAW
				BTSAW

Narrow Implants

BTIM3310	Implant Narrow 3.35mm x 10mm
BTIM3311	Implant Narrow 3.35mm x 11.5mm
BTIM3313	Implant Narrow 3.35mm x 13mm
BTIM3315	Implant Narrow 3.35mm x 15mm

Standard Implants

BTIM3708	Implant Standard 3.75mm x 8mm
BTIM3710	Implant Standard 3.75mm x 10mm
BTIM3711	Implant Standard 3.75mm x 11.5mm
BTIM3713	Implant Standard 3.75mm x 13mm
BTIM3715	Implant Standard 3.75mm x 15mm
BTIM4208	Implant Standard 4.20mm x 8mm
BTIM4210	Implant Standard 4.20mm x 10mm
BTIM4211	Implant Standard 4.20mm x 11.5mm
BTIM4213	Implant Standard 4.20mm x 13mm
BTIM4215	Implant Standard 4.20mm x 15mm

Wide Implants

BTIM5008	Implant Wide 5.0mm x 8mm
BTIM5010	Implant Wide 5.0mm x 10mm
BTIM5011	Implant Wide 5.0mm x 11.5mm
BTIM5013	Implant Wide 5.0mm x 13mm
BTIM5015	Implant Wide 5.0mm x 15mm
BTIM6008	Implant Wide 6.0mm x 8mm
BTIM6010	Implant Wide 6.0mm x 10mm
BTIM6011	Implant Wide 6.0mm x 11.5mm
BTIM6013	Implant Wide 6.0mm x 13mm

Healing Collars

BTHCN33	Healing Collar Narrow 33
BTHCN35	Healing Collar Narrow 35
BTHCN37	Healing Collar Narrow 37
BTHCN43	Healing Collar Narrow 43
BTHCN45	Healing Collar Narrow 45
BTHCN47	Healing Collar Narrow 47
BTHCS33	Healing Collar Standard 33
BTHCS35	Healing Collar Standard 35
BTHCS43	Healing Collar Standard 43
BTHCS45	Healing Collar Standard 45
BTHCS47	Healing Collar Standard 47
BTHCS53	Healing Collar Standard 53
BTHCS55	Healing Collar Standard 55
BTHCW43	Healing Collar Wide 43
BTHCW45	Healing Collar Wide 45
BTHCW47	Healing Collar Wide 47
BTHCW53	Healing Collar Wide 53
BTHCW55	Healing Collar Wide 55
BTHCW63	Healing Collar Wide 63
BTHCW65	Healing Collar Wide 65

Surgical Screws

BTSSN	Surgical Screw Narrow
BTSSS	Surgical Screw Standard
BTSSW	Surgical Screw Wide

Surgical Drills

BTRB23	Round Bur 23
BTSD17	Spade Drill
DR022	Pilot Drill
BTSD2230	Step Drill 2.2/3.0
BTSD2834	Step Drill 2.8/3.4
BTSD3439	Step Drill 3.4/3.9
BTSD4247	Step Drill 4.2/4.7
BTSD4752	Step Drill 4.7/5.2
BTSD5257	Step Drill 5.2/5.7

Stoppers

BTDSNS6	Stopper Narrow/Standard 6
BTDSNS8	Stopper Narrow/Standard 8
BTDSNS10	Stopper Narrow/Standard 10
BTDSNS11	Stopper Narrow/Standard 11
BTDSNS13	Stopper Narrow/Standard 13
BTDSNS15	Stopper Narrow/Standard 15
BTDSW6	Stopper Wide 6
BTDSW8	Stopper Wide 8
BTDSW10	Stopper Wide 10
BTDSW11	Stopper Wide 11
BTDSW13	Stopper Wide 13
BTDSW15	Stopper Wide 15

Surgical Tools

RTWR	Ratchet Wrench
BTDE	Drill Extender
BTSDD	Screw Driver Drill
BTITD21	Insert Tool Drill 2.1
BTITD24	Insert Tool Drill 2.4
BTMRIT21S	Manual Ratchet Insert Tool 2.1 Short
BTMRIT21L	Manual Ratchet Insert Tool 2.1 Long
BTMRIT24S	Manual Ratchet Insert Tool 2.4 Short
BTMRIT24L	Manual Ratchet Insert Tool 2.4 Long
BTMRSDS	Manual Ratchet Screw Driver Short
BTMRSDL	Manual Ratchet Screw Driver Long

Parallel Pins

BTPPN	Parallel Pin Narrow
BTPPS	Parallel Pin Standard
BTPPW	Parallel Pin Wide

Abutment

BTSAN3	Straight Abutment Narrow 3.35mm
BTSAN4	Straight Abutment Narrow 4.30mm
BTSAS3	Straight Abutment Standard 3.75mm
BTSAS4	Straight Abutment Standard 4.50mm
BTSAS5	Straight Abutment Standard 5.50 mm
BTSAW4	Straight Abutment Wide 4.80mm
BTSAW5	Straight Abutment Wide 5.50mm
BTSAW6	Straight Abutment Wide 6.50mm
BTAAN	Angled Abutment Narrow
BTAAS	Angled Abutment Standard
BTAAW	Angled Abutment Wide
BTAUN	UCLA Abutment Narrow
BTAUS	UCLA Abutment Standard
BTAUW	UCLA Abutment Wide
BTCPAN*	Catable Abutment Narrow
BTCPAS*	Catable Abutment Standard
BTCPAW*	Catable Abutment Wide

Transfers

BTTN3	Transfer Narrow 3.35mm
BTTN4	Transfer Narrow 4.30mm
BTTS3	Transfer Standard 3.75mm
BTTS4	Transfer Standard 4.50mm
BTTS5	Transfer Standard 5.50 mm
BTTW4	Transfer Wide 4.80mm
BTTW5	Transfer Wide 5.50mm
BTTW6	Transfer Wide 6.50mm
BTTSAN*	Temporary Abutment / Transfer Narrow
BTTSAS*	Temporary Abutment / Transfer Standard
BTTSAW*	Temporary Abutment / Transfer Wide

Overdentures

BTOBAN2*	Overdenture Narrow 2
BTOBAN4*	Overdenture Narrow 4
BTOBAN6*	Overdenture Narrow 6
BTOBAS2*	Overdenture Standard 2
BTOBAS4*	Overdenture Standard 4
BTOBAS6*	Overdenture Standard 6
BTOBAW2*	Overdenture Wide 2
BTOBAW4*	Overdenture Wide 4
BTOBAW6*	Overdenture Wide 6

Analog

BTAIN	Analog Narrow
BT AIS	Analog Standard
BT AIW	Analog Wide

Prosthetic Screws

BTPSN	Prosthetic Screw Narrow
BTPS	Prosthetic Screw
BTTSSN	Transfer Screw Short Narrow
BTTSSLN	Transfer Screw Long Narrow
BTTSS	Transfer Screw Short
BTTSL	Transfer Screw Long
BTPSC	Prosthetic Screw Cam

Prosthetic Tools

BTPSR	Prosthetic Screw Retriever
BTAE	Abutment Extractor
BT SDD	Screw Driver Drill
BTMRSDS	Manual Ratchet Screw Driver Short
BTMESDL	Manual Ratchet Screw Driver Long

Surgical & Prosthetic Kits

BTSKIT	Surgical Kit
--------	--------------

Includes:

All Surgical Drills (one of each)
All Stoppers (one of each)
All Surgical & Prosthetic Tools (one of each)
All Parallel Pins (two of each)

BTCKIT	Compact Kit
--------	-------------

Includes:

All Surgical Drills
1 Abutment Extractor
1 Manual Ratchet Screw Driver Long
1 Prosthetic Screw Driver Retriever
1 Manual Ratchet Insert Tool 2.1 Long
1 Manual Ratchet Insert Tool 2.3 Short
1 Ratchet Wrench

* Ask your representative for availability

Bonafix implants are proudly made in the U.S. Our production facilities and contractors comply with: FDA, ISO 13485,ISO 9001



118W Prive Cir. Delray Beach Fl, 33445 USA Tlf (561) 7892411
www.bonafixsdi.com